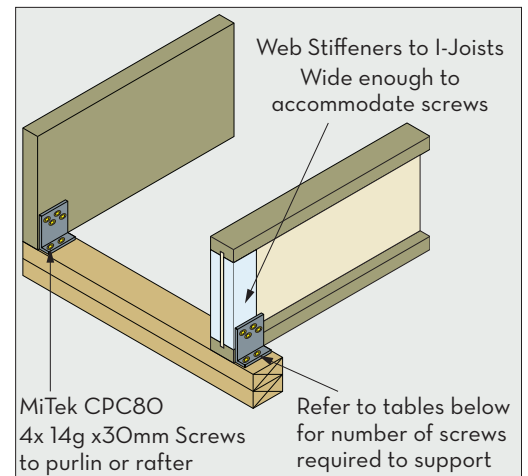

NOTES:

1. Minimum of 2x Steel Brace crosses per Purlin / Rafter.
2. Additional Steel Braces to roof ends required to run from either side of Half Span and intersect the opposing Steel Braces from the corners.
3. Steel brace to comply with Clause 4.3.2 of AS 4440 i.e. Speed Brace or Hoop Iron with Tensioners.
4. Steel Brace fixed with min. 2.8mm Diameter x 30mm long reinforced head nails.
5. Where purlins are used provide a solid timber / LVL end purlin to provide adequate fixing of fascia / barge blocks and clips.
6. Minimum bearing length of 45mm required to support purlins & rafters.
7. 10mm minimum edge distance for nails.
8. Fix bracing walls under to purlins / rafters per the requirements of ITI Spec Sheet 18.



MSA1430 CPC80 Fixings to End Supports

Span (mm)	Uplift (kN)	Fixings	Bearing
3000	-1.2	2	45mm
4000	-1.6	2	45mm
5000	-2.0	2	45mm
6000	-2.4	2	45mm

Web Stiffener Requirements (mm)			
Flange Width	Min. Thickness (mm)	Nail Size	Nails Per Side
45	18	65x2.8	3
53	21	65x2.8	3
58	24	65x2.8	3
89	39	65x2.8	3

WEB STIFFENER NOTES:

1. Web stiffeners shall be the minimum width of 90mm.
2. Web stiffeners may protrude past the outside of the I-Joist flanges.
3. Web stiffeners shall be installed in pairs - one to each side of the web.
4. Web stiffeners shall be cut to fit between the flanges of the ITI Spec Joist® I-Joist, leaving a minimum 3mm gap (25mm maximum).
5. Web stiffeners shall be installed tight to the bottom flange.
6. Web stiffeners shall be cut from plywood, LVL or framing pine.

DESIGN NOTES:

1. MiTek MSA1430 Screws to CPC80 Cleats.
2. 4 screws required to each Purlin or Rafter.
3. JD5 min. Joint Group of support framing.
4. Tie-down based on a max. wind rating of N3.
5. Based on Sheet Metal Roofing + 10mm Plasterboard ceiling (30 kg/m²).
6. Maximum roof pitch of 5°.
7. 600mm max. centres to purlins / rafters.