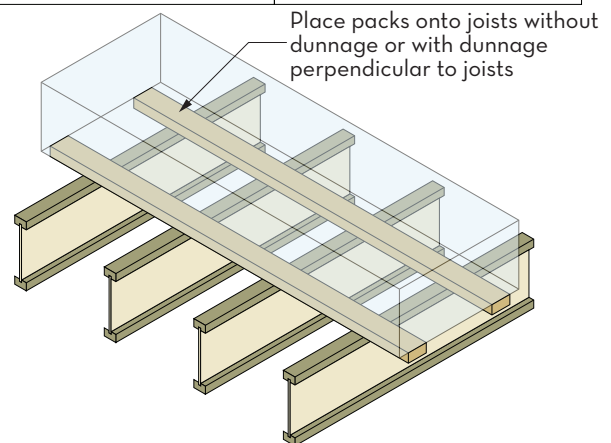


FIXING NOTES:

1. Tensioned metal strap bracing component to meet the requirements of AS 4440
2. Tensioned metal strap bracing must be installed to the top edge of the joists
3. Fix tensioned metal strap bracing to joists with 3x 2.8x30mm Nails to the side of joists at the start / end
4. Fix tensioner to the metal bracing prior to fixing nails to the top of joists
5. Fix tensioned metal strap bracing to joists with 2x 2.8x30mm Nails to the top of every crossing joist
6. Fix timber top flange bracing to every joist joists with 2x 75x3.06mm Nails
7. Top flange bracing may be 70x35 min structural pine framing, 19mm or 22mm particleboard flooring or 18mm OSB Flooring



Loading Construction Materials onto ITI SpecJoists - No Flooring installed

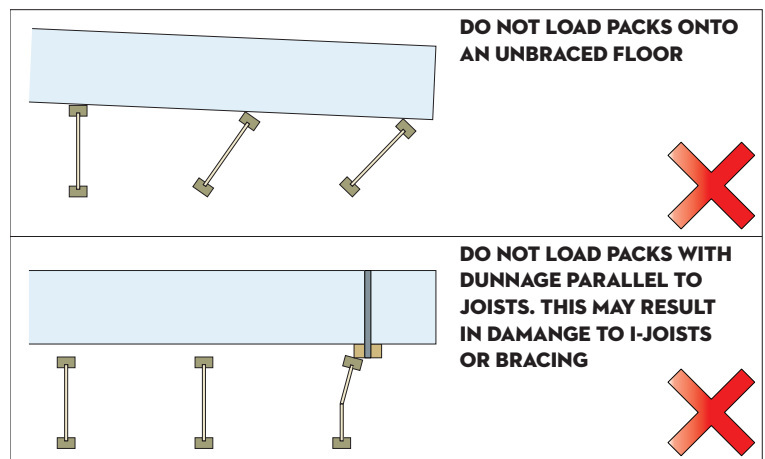
SpecJoist Size	Max. Span (mm)	Load (kPa)		Maximum Number of Sheets		Max. Distance between Bracing Members (mm)
		900mm Wide Packs	Particle Board Flooring			
			19mm	22mm		
240x45	3600	2.4	15	14	1200	
300x45	3900	2.4	15	14	1500	
300x58	5200	2.7	17	15	2800	
360x58	5400	2.4	15	14	3000	
	5900	3.0	19	17	1750	
400x58	5400	2.4	15	14	3000	
	6100	3.9	25	22	1850	
240x89	5200	7.5	48	43	2800	
300x89	5700	6.0	38	35	3300	
360x89	6300	4.8	31	28	3900	
400x89	6700	4.2	27	24	4300	

Loading Construction Materials onto ITI SpecJoists - Flooring installed

SpecJoist Size	Max. Span (mm)	Load (kPa)			Maximum Number of Sheets				Weight (kg)		
		Width of Packs (mm)			Particle Board Flooring		Plaster Board 10mm		Shaft Liner 25mm	CBMA Fire Zone 22mm	Palletised Products
		600	900	1200	19mm	22mm	Standard	Wet Area			
240x45	4000	4.5	4.5	6.0	29	26	99	77	22	17	612
300x45	4700	6.0	7.0	7.5	45	41	123	97	30	23	765
300x58	5200	9.0	10.0	10.0	64	58	164	129	45	35	1020
360x58	5900	9.5	10.5	10.5	68	61	173	136	47	37	1071
400x58	6100	10.0	11.0	11.5	71	64	189	148	50	38	1173
240x89	5200	11.0	11.0	11.0	71	64	181	142	55	42	1122
300x89	5700	13.0	14.5	15.0	94	85	247	194	65	50	1530
360x89	6300	14.0	15.0	15.0	97	87	247	194	70	54	1530
400x89	6700	14.5	15.5	16.5	100	90	271	213	72	56	1683

Product Specifications

Product	Sheet Size (mm)	Width of Load (mm)	Sheet kg/m ²
Particle Board Flooring	19	900	15.7
	22	900	17.4
OxyMag Flooring	16	600	20.4
	19	600	24.5
Compressed Fibre Cement	15	600	27.3
	18	600	31.9
Plaster Board - Standard	10	1200	6.2
Plaster Board - Wet Area	10	1200	7.9
Shaft Liner	25	600	20.5
CBMA Fire Zone	22	600	26.5



NOTES:

1. Supporting wall frames are to be fully braced and fixed into the support structure i.e. concrete slab or sub floor
2. Lower materials down gently onto the floor joists. Sudden impact may result in damage to the floor joists and compromise support structure
3. Materials may be loaded at both ends of the joists

4. Materials may be loaded at locations shown for a period of 5 months provided moisture content of joists does not exceed 18%
5. No combination stacking of materials i.e. do not stack pallets on top of sheet products
6. Loading data shown with flooring sheets installed considers a 1.0Kpa Construction Live Load + 1.1Kn Constant Live Point Load